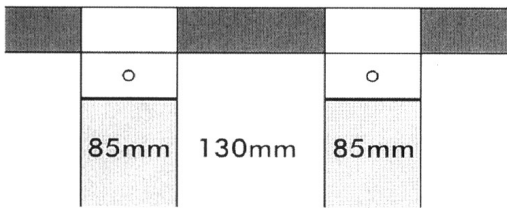


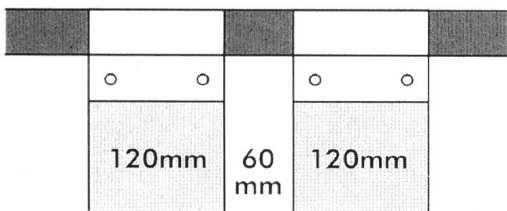
DOORSTRIP SWIVEL-HINGED HEAD RAIL SYSTEM (Galvanised)

Specification

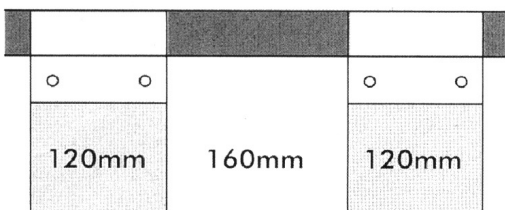
300mm WIDE 56% OVERLAP



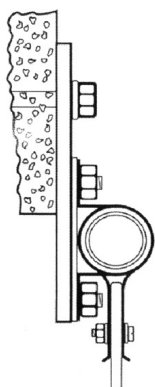
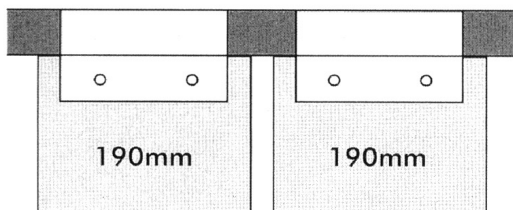
300mm WIDE 80% OVERLAP



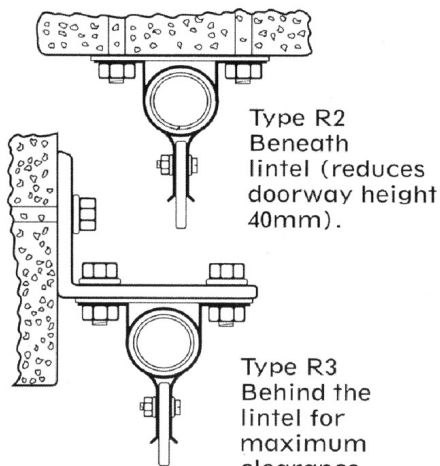
400mm WIDE 60% OVERLAP



400mm WIDE 100% OVERLAP



Type R1
Supplied
as standard



Type R2
Beneath
lintel (reduces
doorway height
40mm).

Type R3
Behind the
lintel for
maximum
clearance.

Installation

Please read these instructions before proceeding.

Your order has been carefully prepared and in the packaging you will find strips of PVC, Bolts & Nuts (Plus spare bracket(s) if the head rail has been made in more than one piece).

The head rail is supplied pre-assembled ready for fixing to the lintel. If the head rail is supplied in two or more pieces it will be necessary to fix the bracket over the joint (See Fig 1). You will need M10 fixings not supplied.

When fitting the 400mm 100% between jambs you need to allow 20mm at each end.

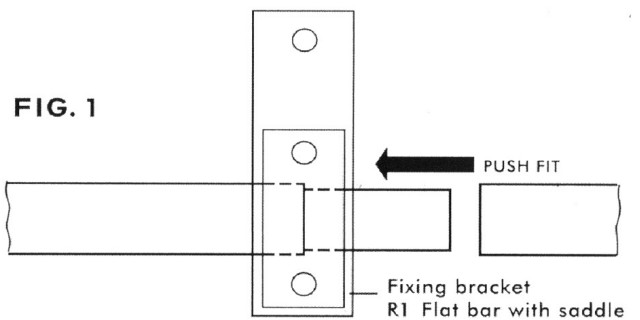


FIG. 1

The PVC strips are naturally convex/concave. To maximise their effectiveness the strips should be hung with the concave sides facing one another (See Fig 2).

M8 x 30mm setscrews and nuts are provided.

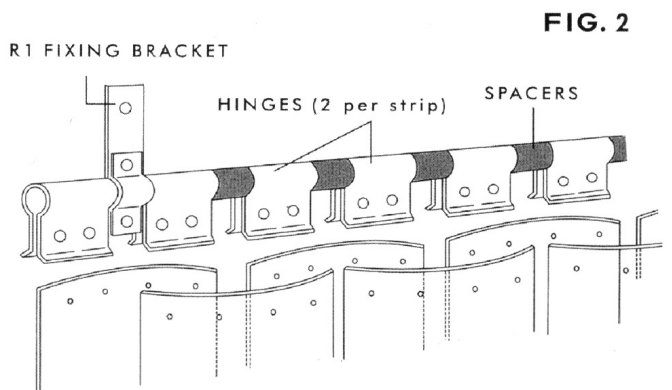
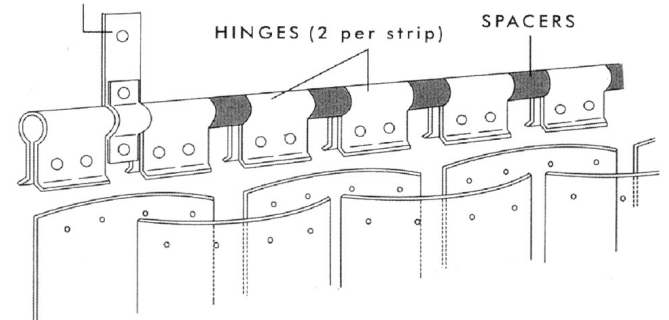


FIG. 2

R1 FIXING BRACKET



Each PVC strip should be trimmed 20mm above floor level to allow it to hang freely.

DOORSTRIP